

# Pro Stack

## Modular LED Ground Stack System

---

CREATING  
INSPIRING  
ENVIRONMENTS



# Pro Stack

## Modular LED Ground Stack System

CREATING  
INSPIRING  
ENVIRONMENTS

- Modular design; easy to move and transport
- Panel fixing system for precision alignment
- Flush to front of screen installation
- Height levelling adjustment
- Quick and simple set-up
- Minimal tools required
- Durable paint finish, easy to maintain
- Free standing LED displays of virtually any width or height\*

### OUTRIGGER

- 1.2m depth to rear of LED display
- Height adjustable levelling feet
- Tool free hand wheel connection to ground beam
- Combined with back support and fixing arm enables free standing LED displays of virtually any height\*



### FIXING ARM

- Half coupler fixing to back support
- Panel fixing plate secures to the corners of 4 LED displays
- Connects the rear of the LED display to the back support for stability

### BACK SUPPORT

- 1m height
- Tool free clamp connection
- Combined with the fixing arm provides support to the rear of the LED display for stability

### GROUND BEAM

- 1m, 1.5m and 2m widths available
- Incorporates Absen panel fixing bolt system for quick and accurate alignment
- Height adjustable levelling feet
- Easily bolt together ground beams to create unlimited width, free standing LED displays

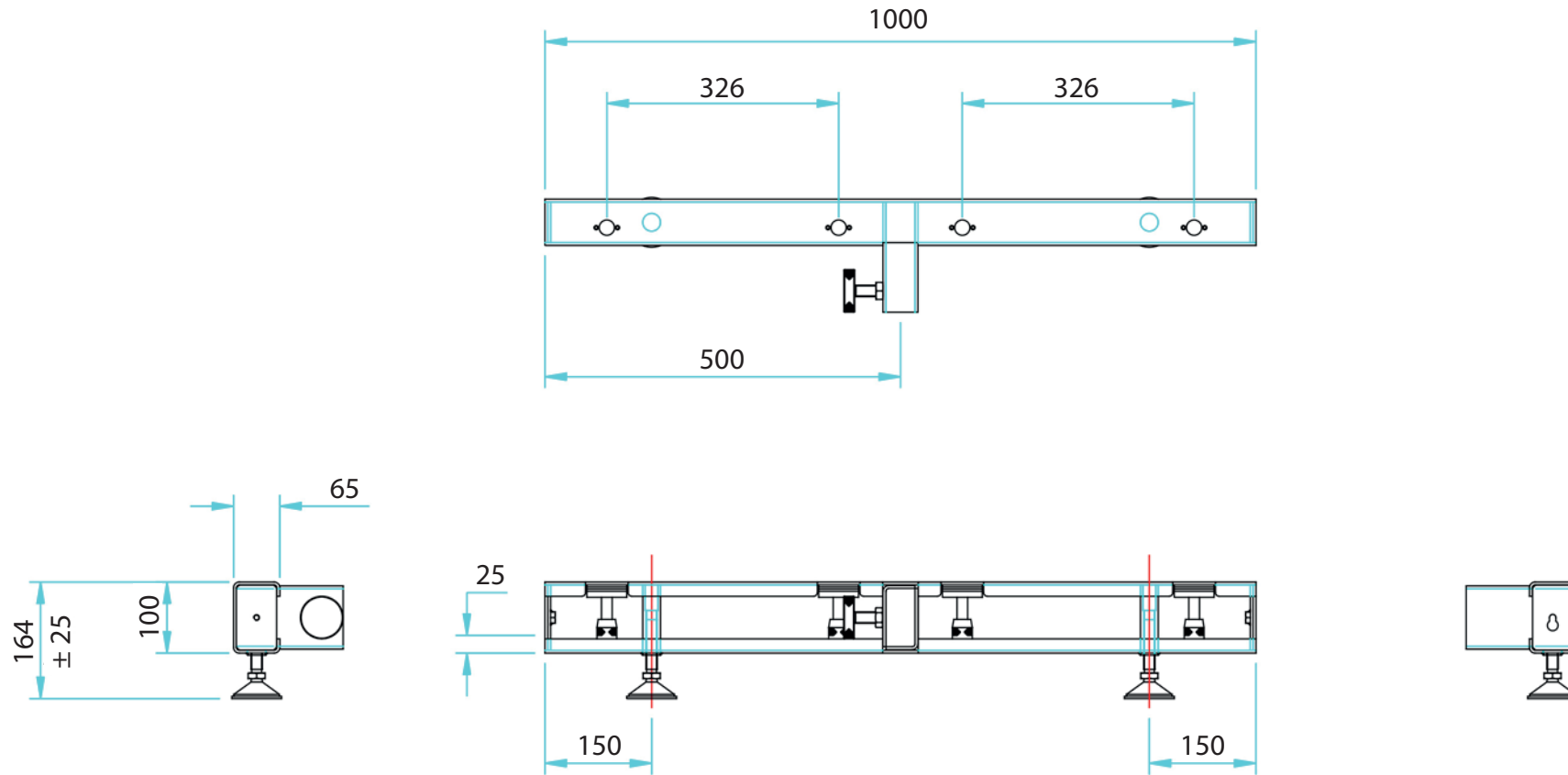
\* Please note that depending on the installation environment care must be taken to make certain that any necessary bracing and/or counter weighting is provided to ensure safety and stability



# ProStack

## 1m Ground Beam

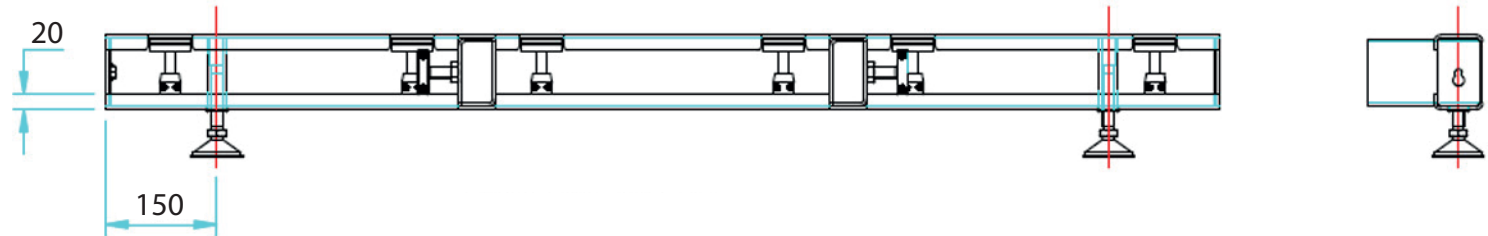
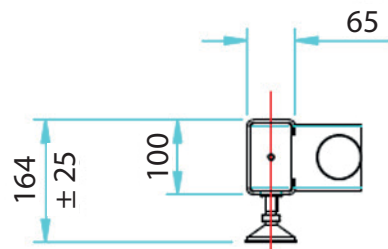
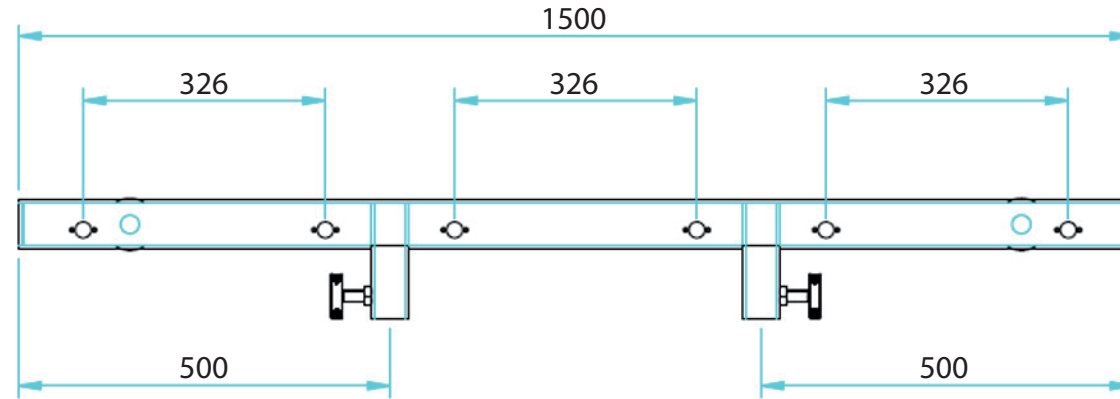
CREATING  
INSPIRING  
ENVIRONMENTS



# ProStack

## 1.5m Ground Beam

CREATING  
INSPIRING  
ENVIRONMENTS



# Pro Stack

## 2m Ground Beam

CREATING  
INSPIRING  
ENVIRONMENTS

